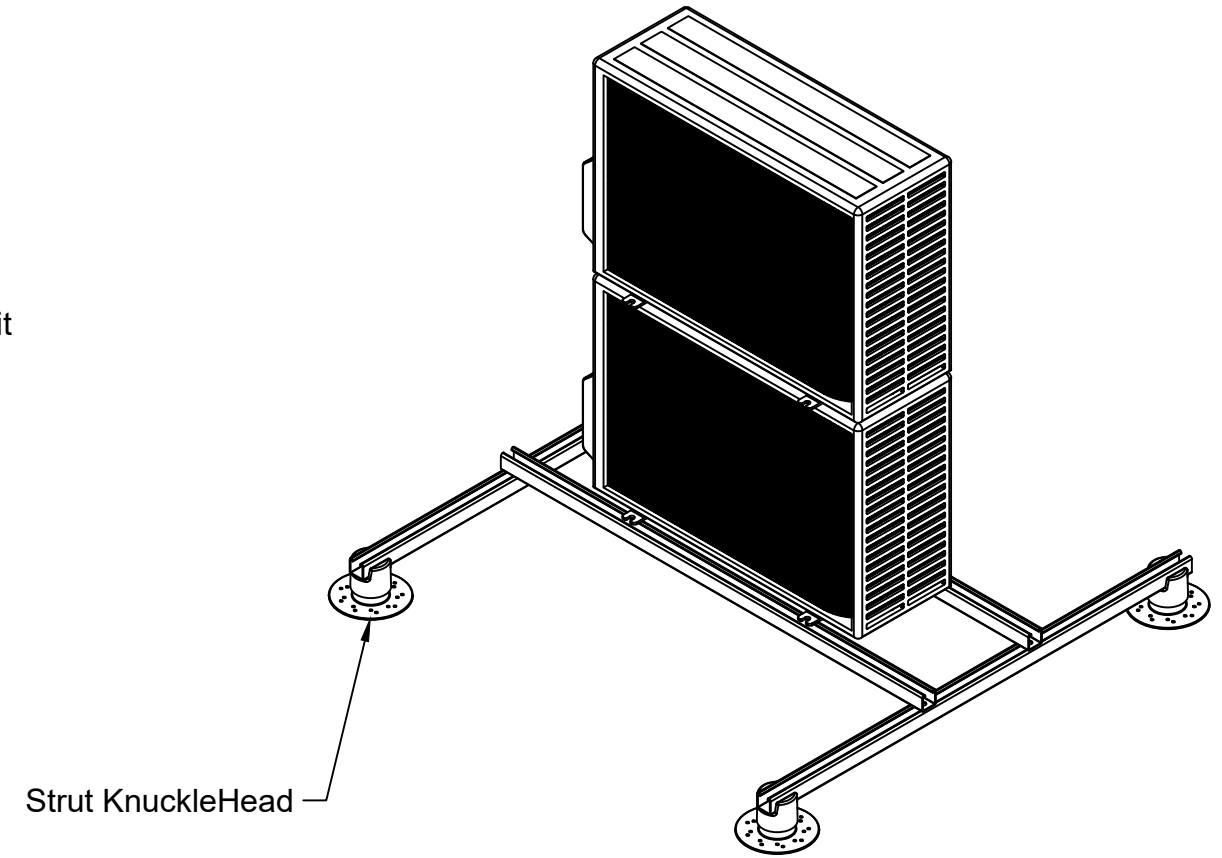
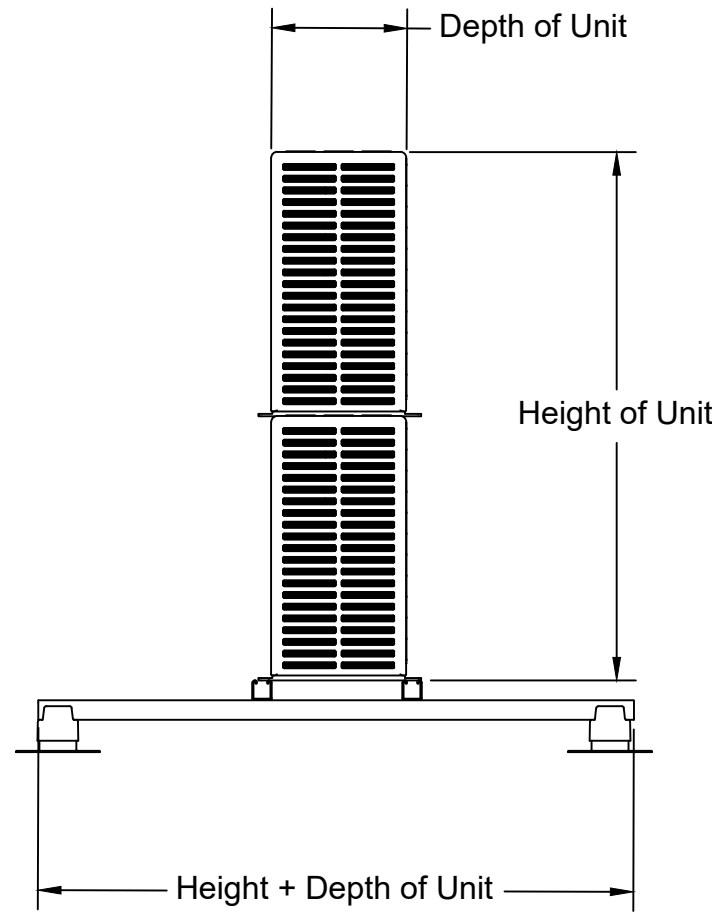
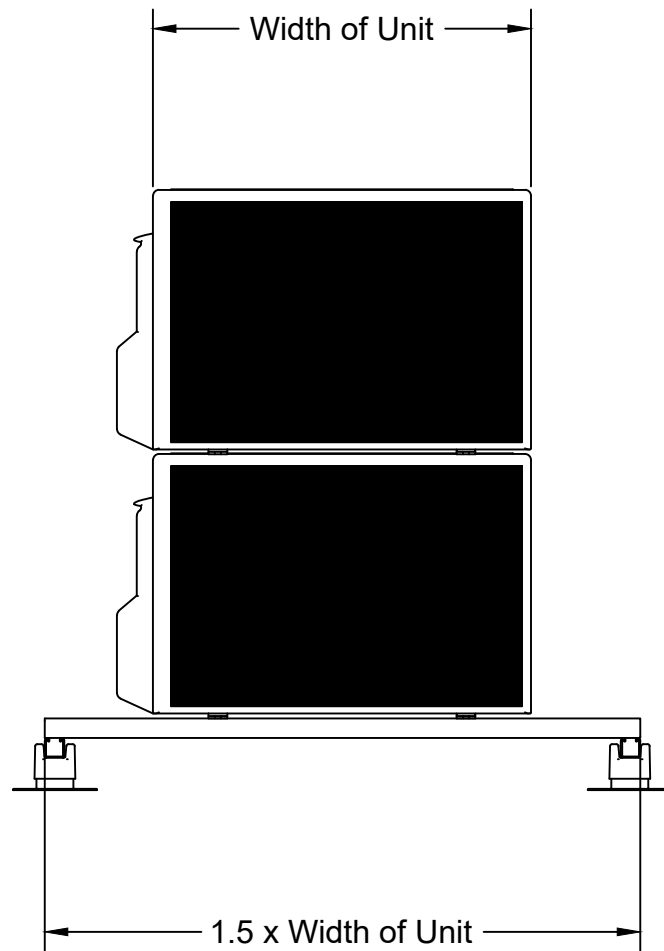


Note:

For High Wind Areas Use:

Width of Frame = 1.5 x Width of Unit

Length of Frame = Height of Unit + Depth of Unit



**GREEN LINK**  
ECO-ENGINEERING  
5519 E Cork St  
Kalamazoo, MI 49048  
GreenlinkEngineering.com  
(888) 672-9897

PROJECT  
**Heavy Duty Mechanical Support**  
TITLE **Non-elevated Mechanical Support Kit**

APPROVED	SIZE	CODE	DWG NO	REV
CHECKED	B			
DRAWN Green Link, Inc. 8/15/2019	SCALE 1:16	WEIGHT	SHEET 1/1	