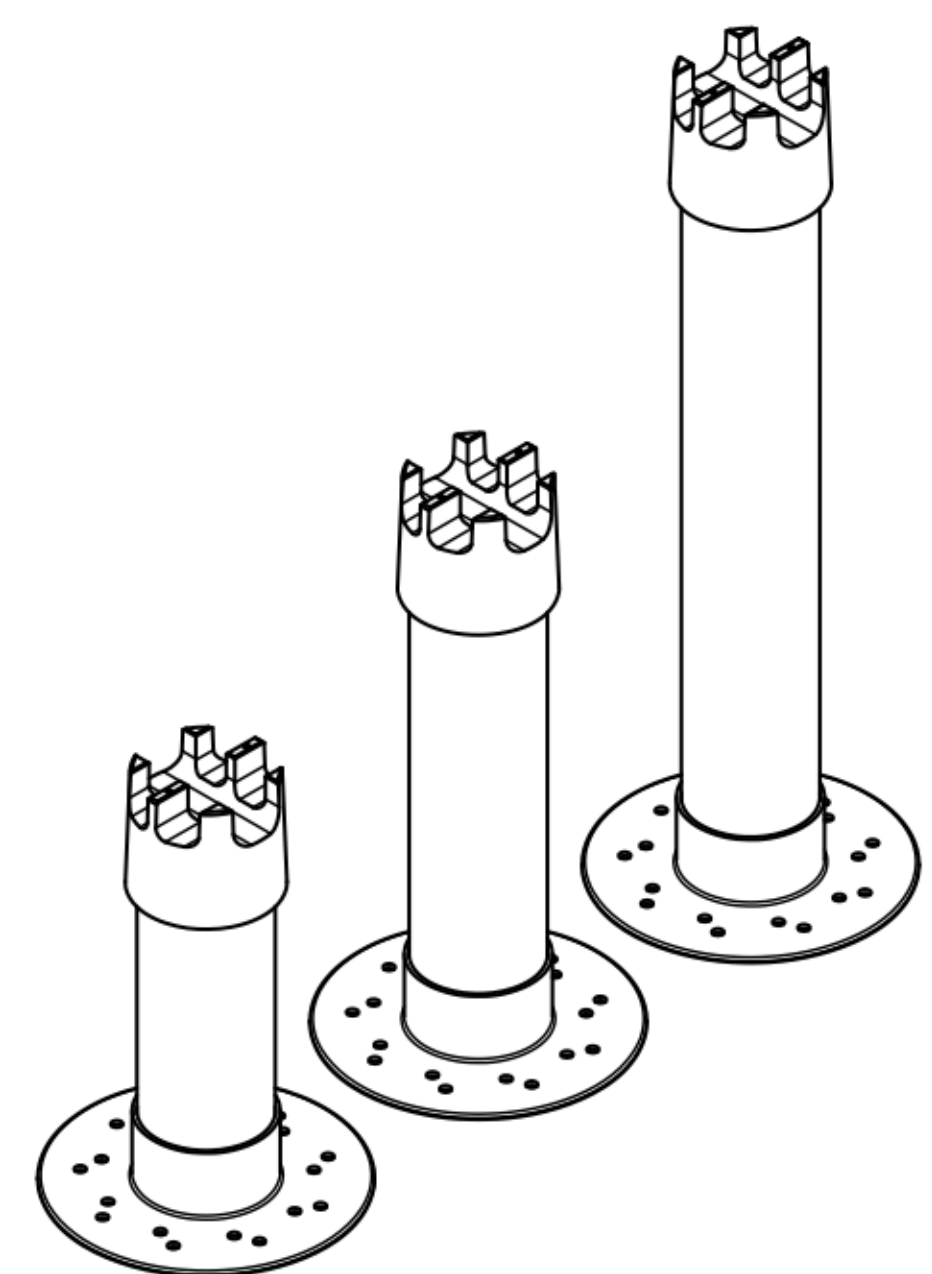
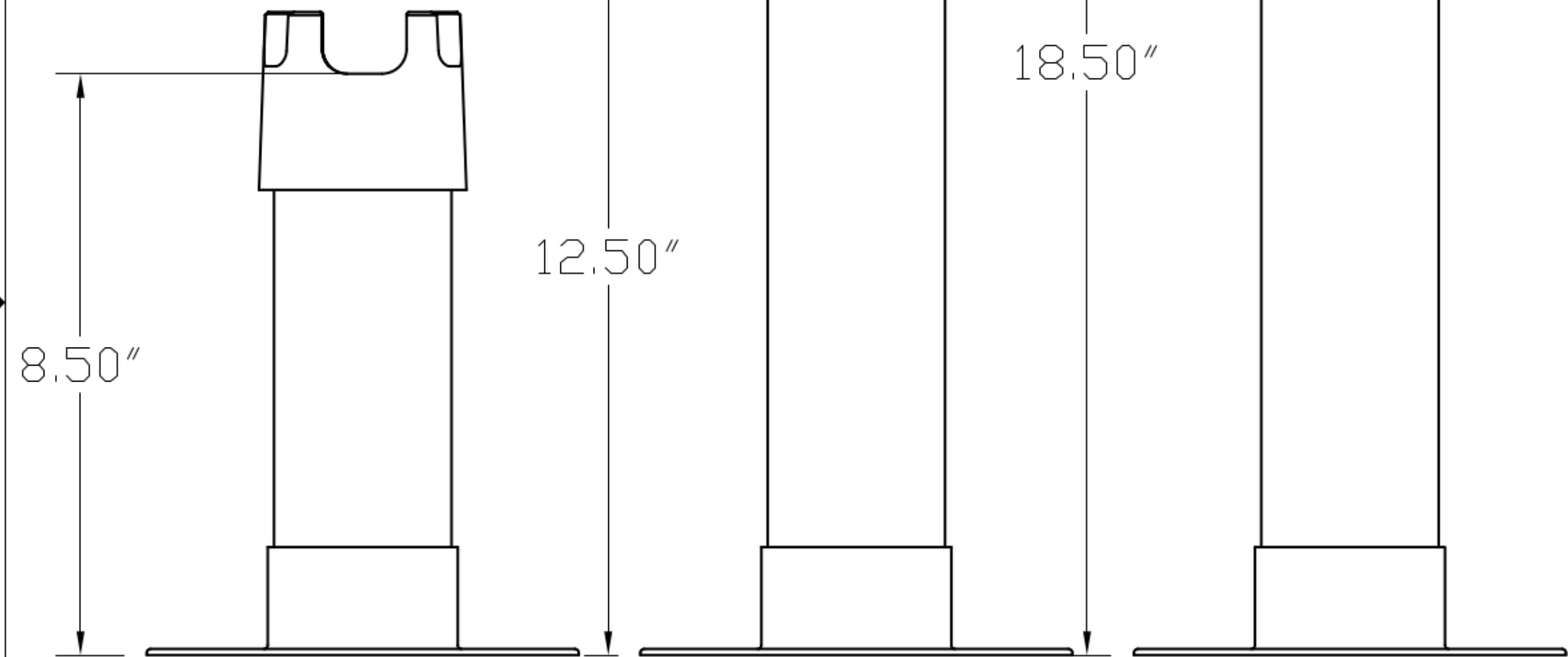


REVISIONS				
ZONE	REV	DESCRIPTION	DATE	APPROVED
All	A	Initial Release	12/8/17	OP



EA-8-2006      EA-12-2006      EA-18-2006  
 8" Extension      12" Extension      18" Extension



FILE NAME EA-XX-2006	5519 E Cork Street Kalamazoo Michigan 49048 USA (269)743-3368 (888) 672-9897		
CONTRACT NO KnuckleHeads			
DRAWN 12/8/2017			
CHECK OP			
APPR.			
ISSUED 11/15/2017			
N/A	SIZE	FSCM NO	DWG NO
		-	EA-XX-2006 Lite Pipe Extensions
Third angle projection not applicable	SCALE Not to scale	WEIGHT	REV A
			SHEET 12

Note:  
 Extensions are measured from roof surface to support point.  
 Extensions are not height adjustable and must be fully engaged.  
 Assembly torque not to exceed 17.0 ft-lb.  
 Custom Extension are available upon request.